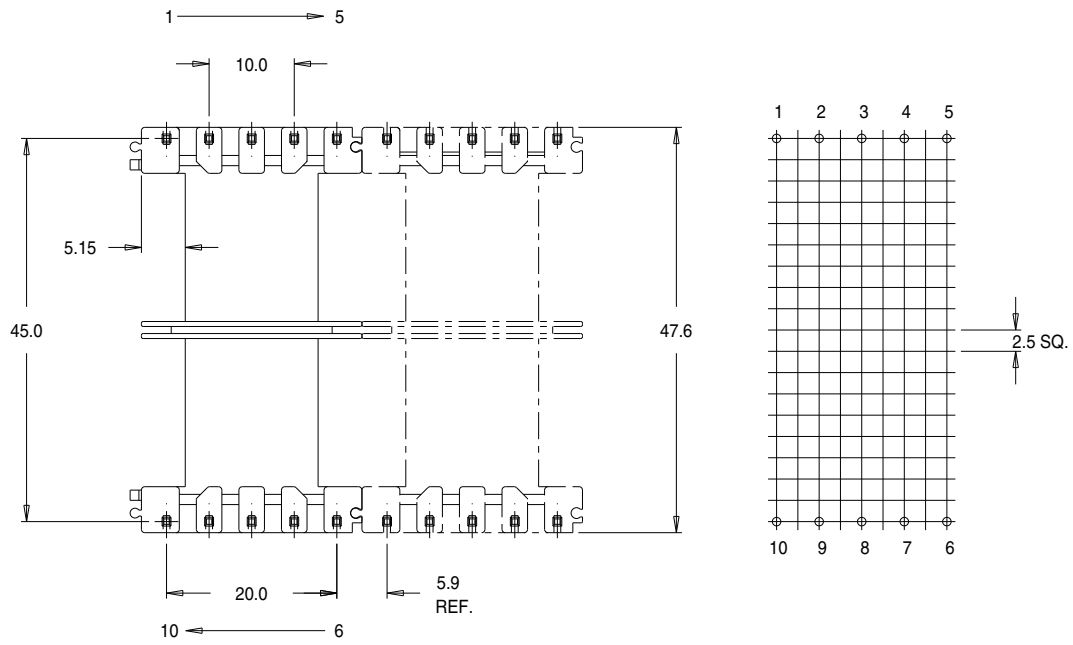
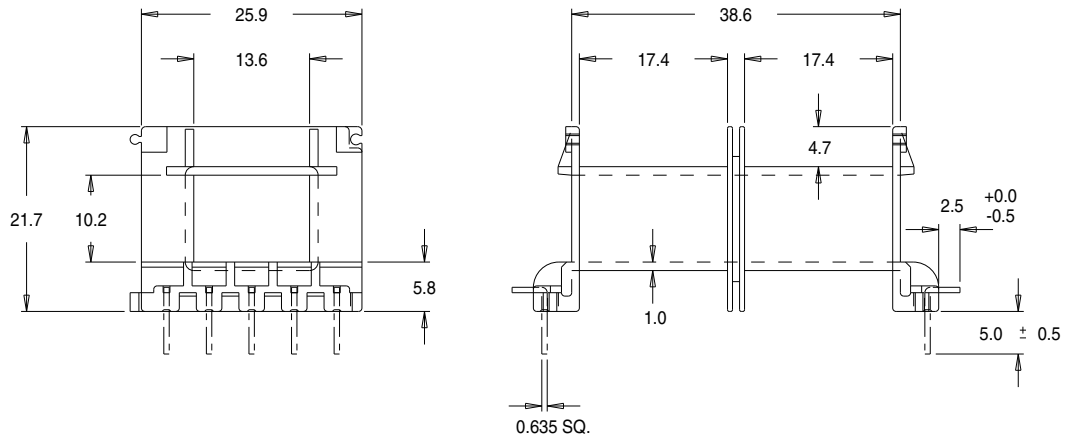


Part No. U39101  
 UI39 x 10.2 Shrouded Double Section  
 'U' Range Bobbin



Dimensions in millimetres.

